

Rotating cleaning nozzle Whirly 2 Series 5W9



Features:

- Popular hygienic design
- Cleaning with effective flat fan jets
- Flexible connection options
- Available with many different flow rates and spray angles



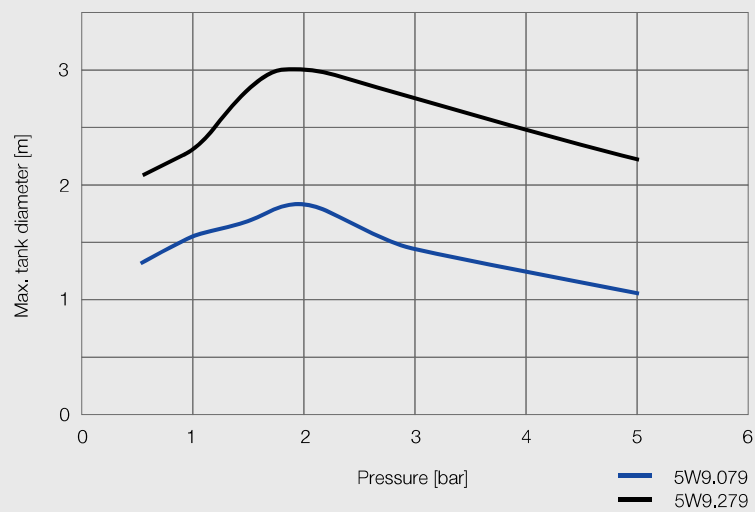
Function video
www.lechler.com/de-en/medialibrary/videos-general-industry
 Or scan the QR code.

Series 5W9

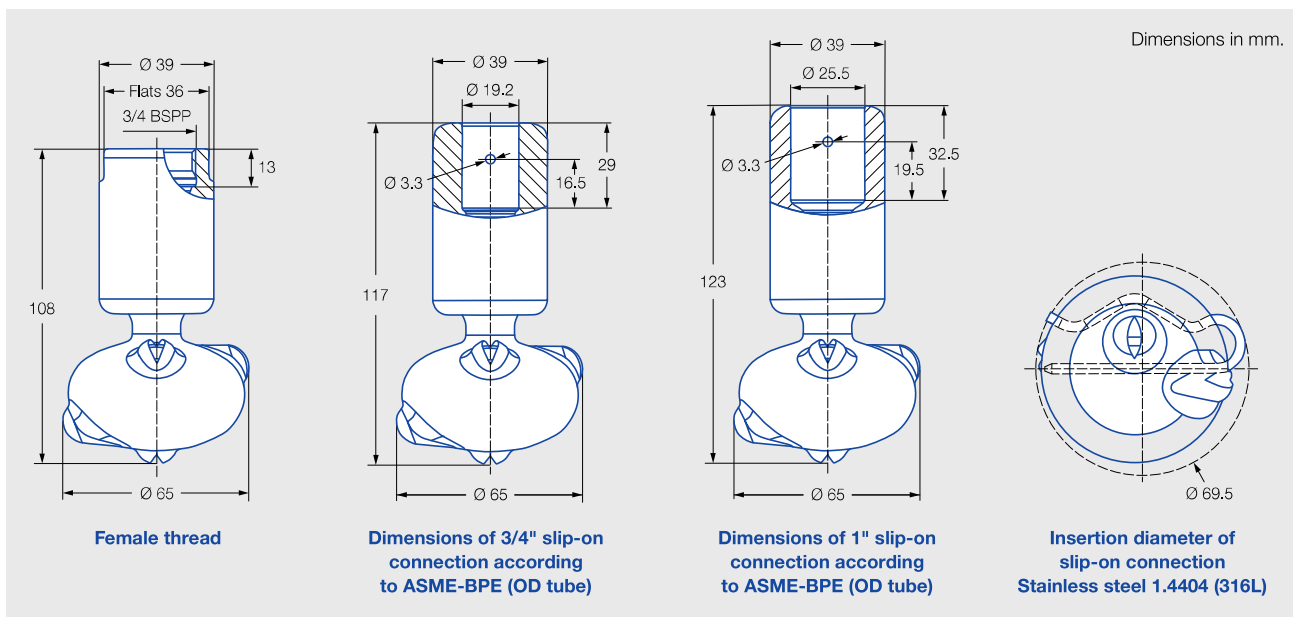
Technical data:

Maximum operating temperature 150 °C 95 °C (ATEX)	Maximum ambient temperature 200 °C 140 °C (ATEX)	Installation Operation in every installation position	Bearing Double ball bearing made of stainless steel
Material Stainless steel 1.4404 (316L), PEEK	Weight 360–500 g	Surface quality Ra ≤ 0.4 µm <small>OUTSIDE</small>	Surface quality Ra ≤ 0.8 µm <small>INSIDE</small>
Steam suitability Not suitable	Insertion diameter 69.5 mm	Recommended filter Line strainer with a mesh size of 0.1 mm/170 mesh	Recommended operating pressure 2 bar
Adapter 3/4 BSPP is compatible with HygienicFit			

Max. tank diameter
 The specified maximum tank diameter applies to the recommended operating pressure and is indicative only. The type of soiling is also decisive for the cleaning result.



Overview of maximum tank diameter depending on pressure



Spray angle	Ordering no.				Narrowest cross-section \varnothing [mm]	\dot{V} water [l/min]			\dot{V} water at 2 bar [m ³ /h]	Max. tank diameter [m]
	Type	Connection				p [bar] (p _{max} = 6 bar)				
		3/4 BSPP	3/4" slip-on connection	1" slip-on connection		1.0	2.0	3.0		
270° 	5W9.075.1Y	AL	TF07	TF10	2.0	34	48	59	2.9	1.8
	5W9.145.1Y	AL	TF07	TF10	2.8	50	71	87	4.3	2.1
	5W9.195.1Y	AL	TF07	TF10	3.3	69	97	119	5.8	2.6
270° 	5W9.076.1Y	AL	TF07	TF10	2.0	34	48	59	2.9	1.8
	5W9.106.1Y	AL	TF07	TF10	2.5	41	58	71	3.5	2.1
	5W9.196.1Y	AL	TF07	TF10	3.4	69	97	119	5.8	2.6
360° 	5W9.079.1Y	AL	TF07	TF10	1.6	34	48	59	2.9	1.8
	5W9.149.1Y	AL	TF07	TF10	2.4	50	71	87	4.3	2.1
	5W9.199.1Y	AL	TF07	TF10	3.0	69	97	119	5.8	2.6
	5W9.279.1Y	AL	TF07	TF10	3.5	103	145	178	8.7	3.0

NPT threads on request.

Information on operation

Compressed air can be used only for a short time for blowing dry. Use above the recommended pressure will have a negative effect on the cleaning result and wear.

Information on slip-on connection

- Cotter pin made of stainless steel 1.4404 (316L) included (ordering no. 095.013.1Y.06.72).
- Depending on the adapter diameter, the flow rate may increase due to the leakage between the adapter and rotating cleaning nozzle.

Ordering example with FDA and (EC) 1935/2004 conformity.

All materials are suitable for contact with food.

Type + Connection = Ordering no.
5W9.075.1Y + AL = 5W9.075.1Y.AL

Ordering example with ATEX approval. FDA and (EC) 1935/2004 conformity.

Unit group/Category/Zones:
 II 1G Ex h IIB T6...T3 Ga
 II 1D Ex h IIIC T85 °C...T170 °C Da

Important
 The code for the connection changes for the ATEX version with slip-on connection.
 Ordering example for 3/4" slip-on connection: 5W9.075.1Y.T2.EX
 Ordering example for 1" slip-on connection: 5W9.075.1Y.T3.EX

Type + Connection + ATEX = Ordering no.
5W9.075.1Y + AL + EX = 5W9.075.1Y.AL.EX